

# WR201LEU

High performance and secure dual SIM LTE & Wi-Fi router with I/Os, RS232 and RS485 for various industrial use scenarios.



Industrial Design



4G LTE Cat 4



Reliable Connectivity with Dual SIM



IEEE 802.11 b/g/n/ac, 2.4/5 GHz



VPN Secure Connection



4 Ethernet Interfaces (1 WAN, 3 LAN)



RS232 and RS485 Serial Port, 10 PIN I/O



Smart field upgrade with TF card



External storage



The WR201LEU is Queclink’s advanced industrial router. Compared with Queclink basic industrial router series, it provides faster transmission rate and allows more devices connection. With high-speed cellular connectivity up to 150Mbps (LTE CAT 4) and multiple serial port interfaces, WR201LEU provides a platform for data-intensive IoT applications such as industrial automation, smart city, transportation and retail. With Queclink’s unique technology, the product can be installed in vehicles and used alongside our existing range of tracking products to offer a reliable connectivity environment.



Vending Machine



Enterprise Network Backup



ATM



Bus Wi-fi Sharing



Charging Station

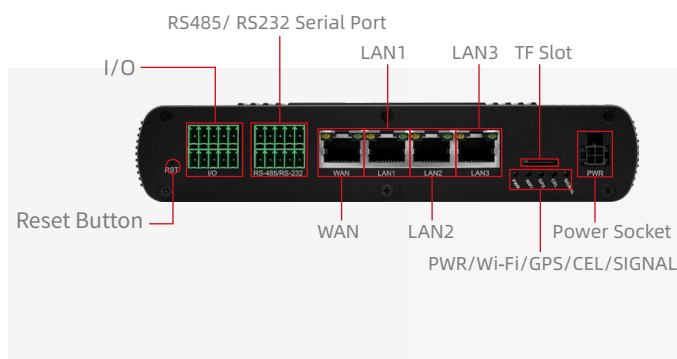


IP Camera Monitoring

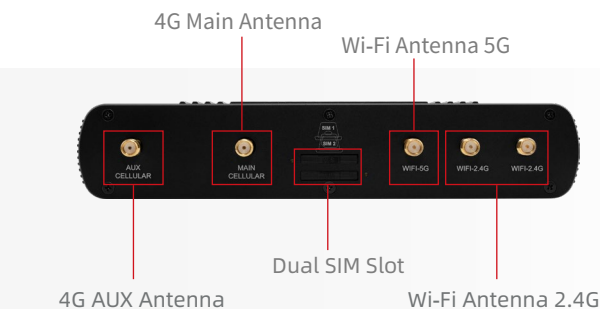
## WR201LEU

Region	Network/Operating Band	Wi-Fi	Ethernet
EMEA	<b>LTE Cat 4:</b> LTE FDD: B1/B2/B3/B4/B5/B7/B8/ B12/B13/B18/ B19/B20/B25/B26/B28 LTE TDD: B38/B39/B40/B41 <b>UMTS:</b> B1/B2/B4/B5/B6/B8/B19 <b>GSM:</b> B2/B3/B5/B8	IEEE 802.11 b/g/n/ac, 2.4/5 GHz	1 x FE (WAN) 3 x FE (LAN)

### Front View



### Rear View



## Hardware

Dimensions	180 mm x 130 mm x 34 mm (W x D x H ) (Excluding antenna connectors and mounting bracket)
Weight	621g
Operating Voltage	8V ~ 32V DC
Operating Temperature	-30°C ~ + 75°C -40°C ~ + 85°C for storage
Ethernet Ports	1 WAN (10/100Mbps) 3 LAN (10/100Mbps)
Mobile	4G LTE Cat 4, 3G, 2G
Wi-Fi	IEEE 802.11 b/g/n/ac, 2.4/5 GHz
RS232 Serial Port	1
RS485 Serial Port	3 (Half Duplex)
TF Slot	1
SIM Slots	2
Mobile Antennas	2 x SMA
Wi-Fi Antennas	3 x RP-SMA

Power Sockets	4 Pin Power, 1 digital input, 1 digital output
Inputs/Outputs	10 Pin
LED Indicators	Power, Wi-Fi, Mobile Status, Mobile Signal Strength 2 x WAN, 6 x LAN
Reset Button	1

## Software

Operating System	Linux based OpenWrt OS
Alternative Link	Mobile, Wired, Wi-Fi. Primary and backup link configured as requirement, auto load balance.
Network Features	NAT, Static/Dynamic routing(Rip Protocol), Firewall
Connection Monitoring	Ping Reboot, Scheduled Reboot
Remote Management	WEB UI, SSH, SMS, FOTA